



**BESS STEEL**  
FORGE THE FUTURE

# CATALOG HVAAC



# PRESENTATION



**Jeremy MARTINEZ**

Sales Director – Europe

[jeremy.martinez@bess-steel.com](mailto:jeremy.martinez@bess-steel.com)



**Noura PINTO-BARBOZA**

Sales Director – North Africa & Middle East

[contact@bess-steel.com](mailto:contact@bess-steel.com)

## **Bess Steel, the steel of your ambitions !**

Do you build, you produce, do you innovate ? Bess Steel powers your projects.

As a specialist in metallurgy, trading and the production of metallurgical products, we offer demanding professionals a high-performance and reliable solution.

## **Expertise carried by a solid group.**

Bess Steel was born out of the success of Run Pro Log, a transport and logistics company founded in 2016. With this diversification, the group is accelerating and strengthening its development.

Located in Bratislava, Slovakia, in the heart of Europe, our warehouse ensures proximity, responsiveness and optimized distribution to Europe and the Maghreb.

# SUMMARY

|                    |           |
|--------------------|-----------|
| <b>FLANGE</b>      | <b>4</b>  |
| <b>CORNER</b>      | <b>6</b>  |
| <b>CLAMP</b>       | <b>8</b>  |
| <b>ACCESSORIES</b> | <b>10</b> |



# FLANGE



## WHAT IS IT ABOUT ?

Flange for manufacturing rectangular air duct networks, designed to guarantee structural rigidity and airtight joints.

## KEY FEATURES

- **Ultra-rigid structure** : the flange and bracket form a highly mechanically resistant assembly.
- **Excellent torsional resistance** : thanks to the clinching process.
- **Airtightness** : butyl sealant directly integrated into the flange.
- **Long-lasting performance** : no shrinkage or hardening of the seal over time.

## SPECIFICATIONS

### Flange M20

| Reference  | Material   | Length           | Packet       | Thickness |
|------------|------------|------------------|--------------|-----------|
| Flange M20 | Galvanized | 2.000 – 5.000 mm | 500 – 1000 m | 0,6 mm    |

### Flange M25

| Reference  | Material   | Length           | Packet       | Thickness |
|------------|------------|------------------|--------------|-----------|
| Flange M25 | Galvanized | 2.000 – 5.000 mm | 500 – 1000 m | 0,6 mm    |

### Flange M30

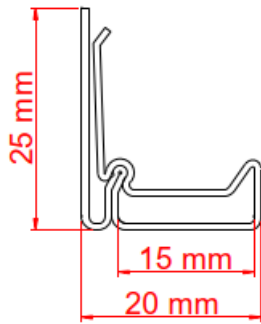
| Reference  | Material   | Length           | Packet       | Thickness |
|------------|------------|------------------|--------------|-----------|
| Flange M30 | Galvanized | 2.000 – 5.000 mm | 500 – 1000 m | 0,7 mm    |

\* Other sizes are available on request.

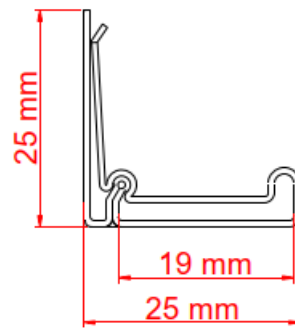


## DIMENSIONS

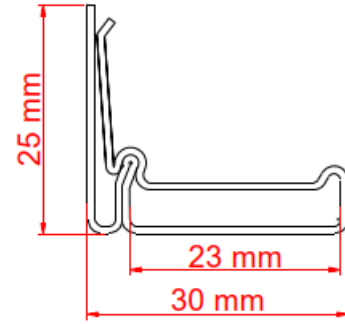
### Flange M20



### Flange M25



### Flange M30





## WHAT IS IT ABOUT ?

Angle brackets compatible with rectangular air duct frames, ensuring high assembly rigidity and perfect air tightness.

## KEY FEATURES

- **Ultra-rigid structure** : the frame and bracket form a highly mechanically resistant assembly.
- **Excellent torsional resistance** : thanks to a robust design.
- **Airtightness** : design allows the application of sealing mastic in the corners.
- **Flexible use**: available in several lengths.

## SPECIFICATIONS

### Corner M20

| Reference    | Material               | Thickness | Packet  | Pallet              |
|--------------|------------------------|-----------|---------|---------------------|
| Équerre M20S | Galvanized - Stainless | 2,5 mm    | 500 Pcs | 25.000 – 50.000 Pcs |
| Équerre M20L | Galvanized - Stainless | 2,5 mm    | 500 Pcs | 25.000 – 50.000 Pcs |

### Corner M25

| Reference   | Material   | Thickness | Packet  | Pallet              |
|-------------|------------|-----------|---------|---------------------|
| Équerre M25 | Galvanized | 2,5 mm    | 500 Pcs | 25.000 – 50.000 Pcs |

### Corner M30

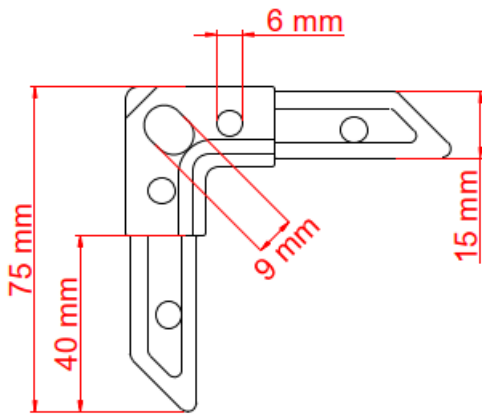
| Reference    | Material   | Thickness | Packet  | Pallet     |
|--------------|------------|-----------|---------|------------|
| Équerre M30S | Galvanized | 2,5 mm    | 250 Pcs | 12.000 Pcs |

\* Other sizes are available on request.

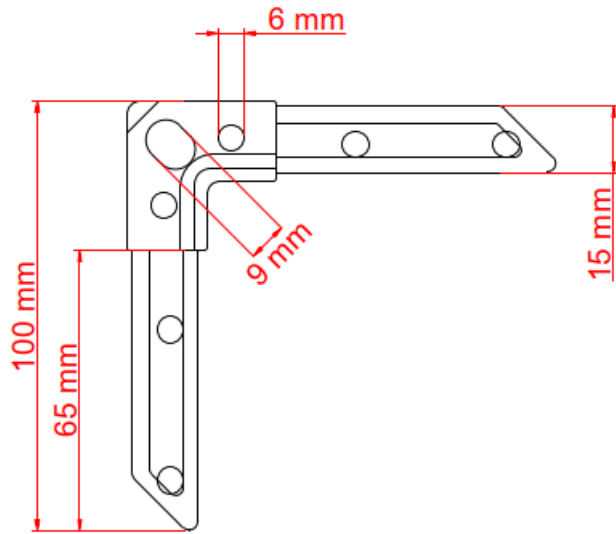


## DIMENSIONS

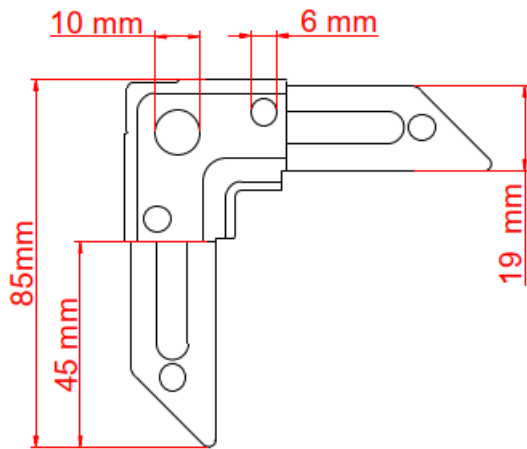
### Corner M20S



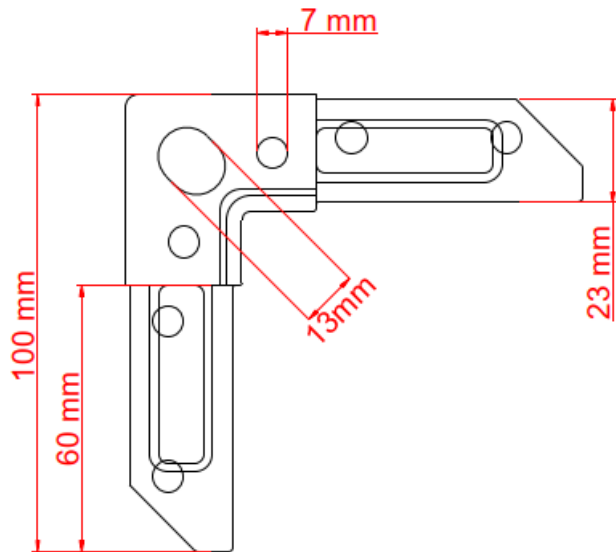
### Corner M20L



### Corner M25



### Corner M30



# CLAMP



## WHAT IS IT ABOUT ?

Clamp designed to reinforce the connection between two frames, particularly suitable for large rectangular air ducts. They improve assembly rigidity and ensure excellent mechanical strength, even under high pressure loads. The design is reinforced with double ribs. Pre-assembled hex-head screws allow quick and easy installation.

## KEY FEATURES

- **Effective reinforcement** : of the connection between two frames.
- **Specially designed** : for large-section rectangular air ducts.
- **Increased rigidity** : thanks to double ribs.
- **Excellent mechanical strength** : even under high pressure loads.
- **Pre-assembled hex-head screws** : for fast installation.

## SPECIFICATIONS

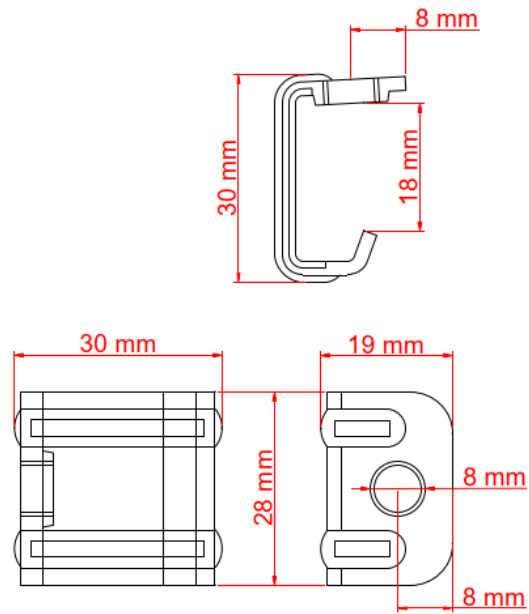
### Clamp

| Reference      | Material   | Thickness | Packet  | Pallet     |
|----------------|------------|-----------|---------|------------|
| Standard clamp | Galvanized | 2,5 mm    | 500 Pcs | 50.000 Pcs |
| MAXI clamp     | Galvanized | 2,5 mm    | 500 Pcs | 50.000 Pcs |

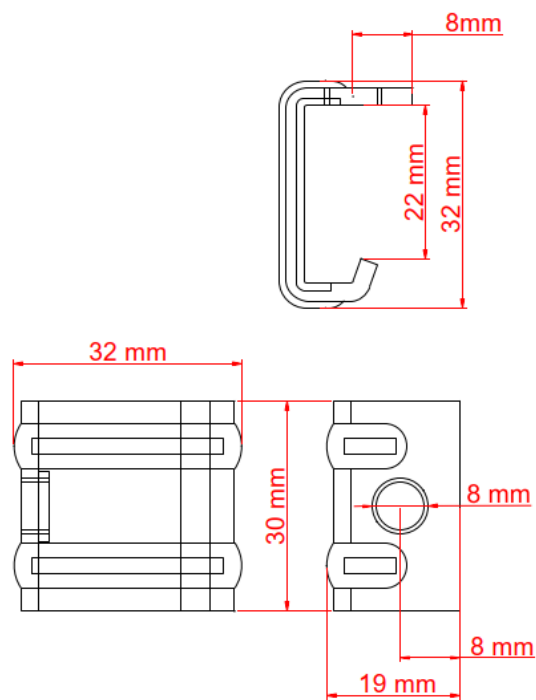


## DIMENSIONS

### Standard clamp




### MAXI clamp






## Nut

| Reference | Material   | Packet    |  |
|-----------|------------|-----------|---|
| M8        | Galvanized | 1.500 Pcs |   |
| M10       | Galvanized | 3.500 Pcs |   |

## Bolt

| Reference | Material   | Packet    |  |
|-----------|------------|-----------|---|
| M8*25 mm  | Galvanized | 1.500 Pcs |   |
| M10*30 mm | Galvanized | 3.500 Pcs |   |

## Foam gasket

| Reference | Roll | Packet |  |
|-----------|------|--------|--|
| 5*13 mm   | 10 m | 900 m  |  |
| 5*15 mm   | 10 m | 800 m  |  |
| 5*20 mm   | 10 m | 600 m  |  |
| 5*25 mm   | 10 m | 500 m  |  |
| 5*30 mm   | 10 m | 500 m  |  |